

LED Anti-Explosion Tri-Proof Lights



IECEX

ENELTEC[®]
brighten your ideas



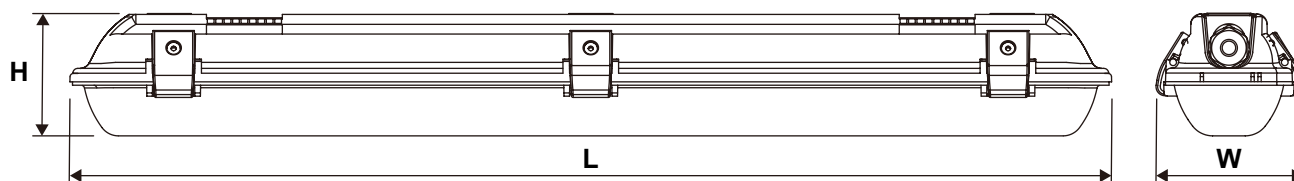


LED Anti-Explosion Tri-Proof Lights

Product description

The LED Anti-Explosion Tri-Proof Lights are applied to oil fields, oil refineries, offshore oil platform, power plants, gas stations, oil tanks, wharf, tunnel, pumping station, substation, the military base, etc. Zone I and Zone II Hazardous Locations, Zone 20, Zone 21, Zone 22 and II A, IIB, IIC explosive gas atmosphere.

Dimensions



Model	Dimension (mm)			Packing (cm)			GW (kg)
	L	W	H	L	W	H	
ENEP-9W1-14	780	220	135	82	26	18	4.3/1pc
ENEP-18W2-14	780	220	135	82	26	18	4.3/1pc
ENEP-18W1-14	1385	220	135	142	26	18	7.0/1pc
ENEP-36W2-14	1385	220	135	142	26	18	7.0/1pc

ATEX:

-  demb II CT6 Gb



IP65



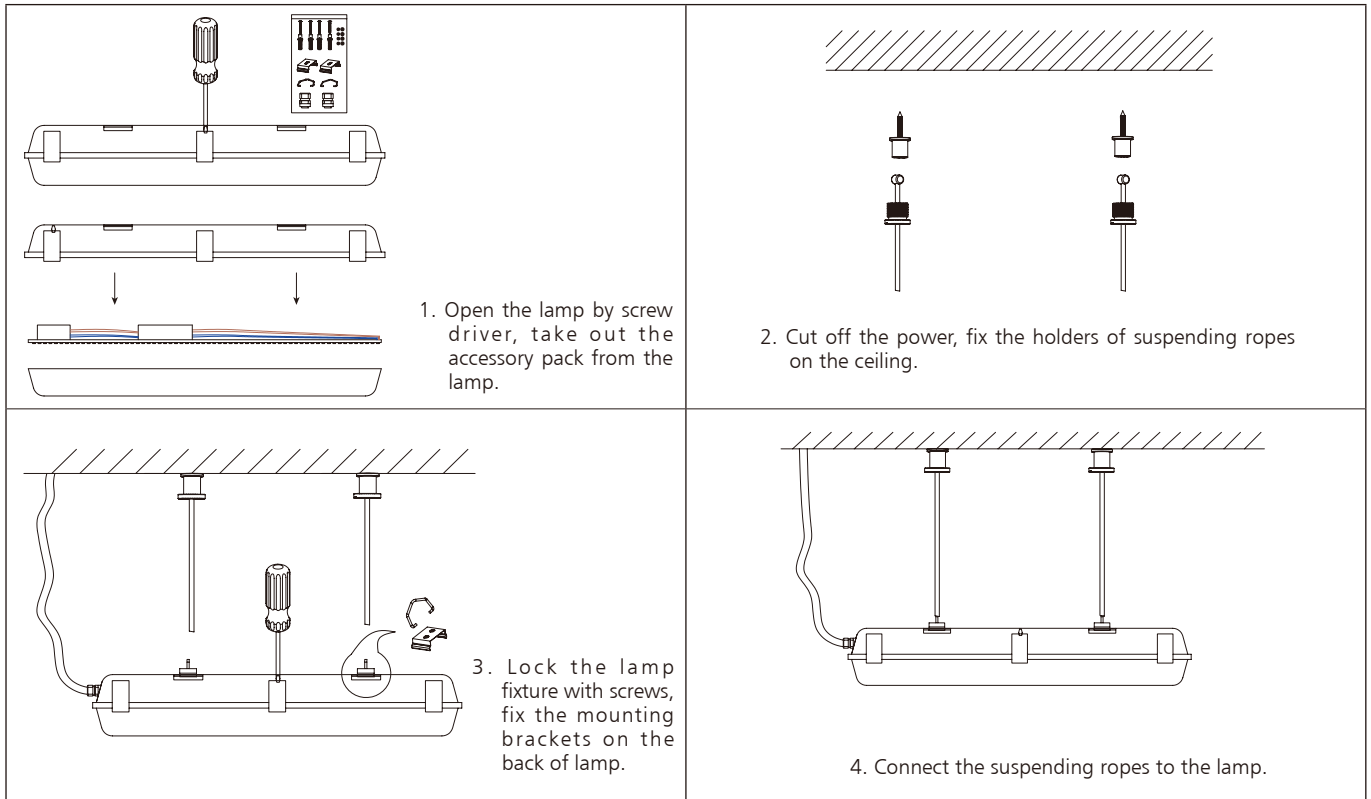
Data

Model No.	ENEP-20W-14A	ENEP-20W-14B	ENEP-40W-14A	ENEP-40W-14B
Input Voltage	100~277VAC	100~277VAC	100~277VAC	100~277VAC
Frequency	50-60Hz	50-60Hz	50-60Hz	50-60Hz
Power Factor	>0.9	>0.9	>0.9	>0.9
Power (W)	20	20	40	40
Lumen Output	2000	2000	4000	4000
Luminous Efficiency	100lm/W	100lm/W	100lm/W	100lm/W
CRI	Ra>70	Ra>70	Ra>70	Ra>70
Beam Angle	120°	120°	120°	120°
LED	FSL 2*9W	FSL 2*9W	FSL 2*18W	FSL 2*18W
Ex-Proof Class	Ex demb II CT6 Gb	Ex demb II CT6 Gb	Ex demb II CT6 Gb	Ex demb II CT6 Gb
Color Temperature	3000-3500K/ 4000-4500K/ 6000-6500K	3000-3500K/ 4000-4500K/ 6000-6500K	3000-3500K/ 4000-4500K/ 6000-6500K	3000-3500K/ 4000-4500K/ 6000-6500K
Working Temperature	-40℃~60℃	-40℃~60℃	-40℃~60℃	-40℃~60℃
Working Humidity	0~100%	0~100%	0~100%	0~100%
IP Grade	IP54	IP65	IP54	IP65
Lumen Maintenance	70% (50,000Hrs)	70% (50,000Hrs)	70% (50,000Hrs)	70% (50,000Hrs)
Warranty	2 Years			



Installation

Suspended



Surface Mounted

